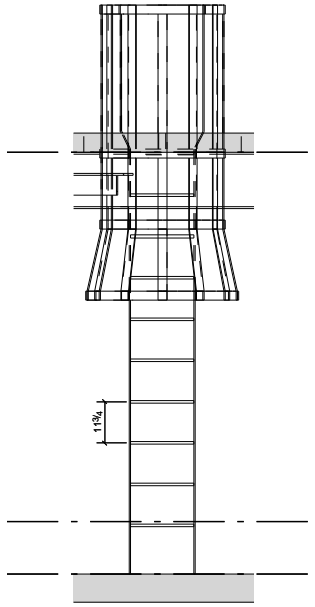
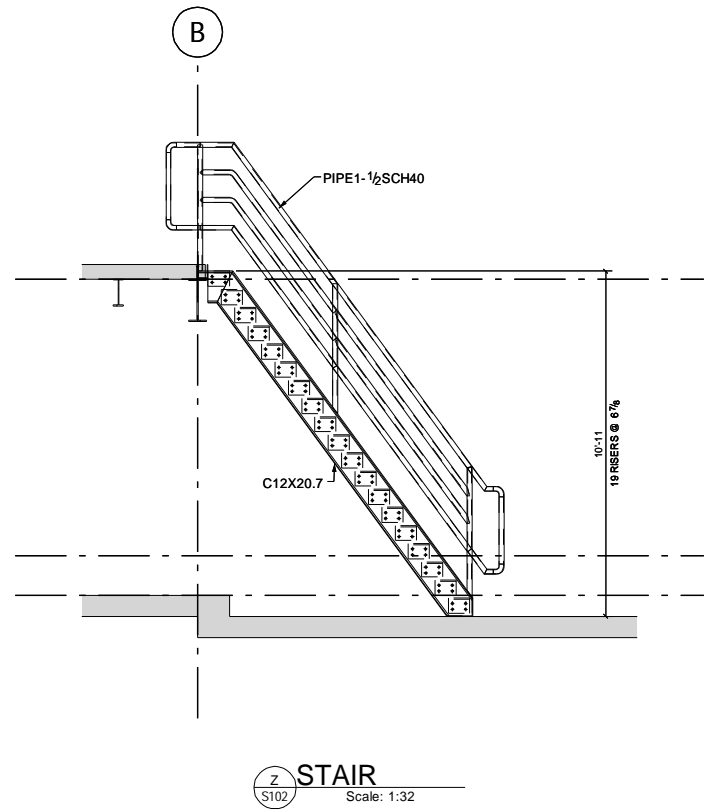
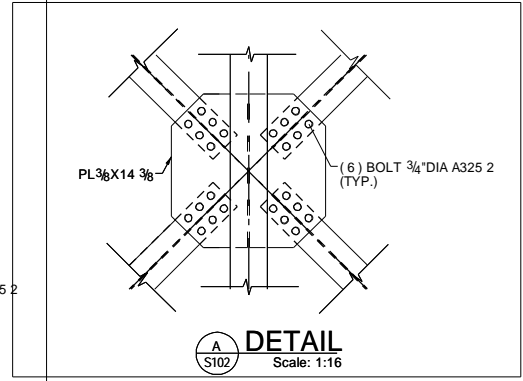
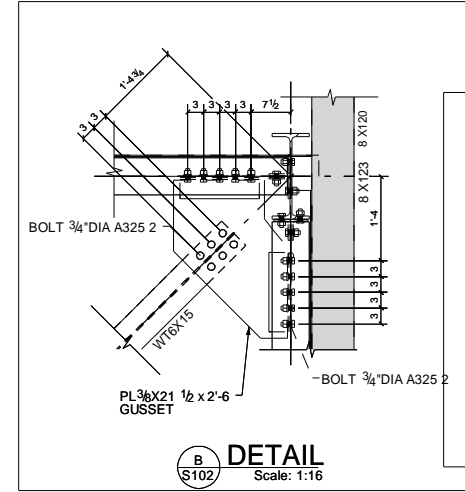


**SECOND FLOOR PLAN**  
1:32

FINISHED FLOOR = 0'-0" (567'-4" AMSL)  
T.O.S. = 10'-0" U.N.O.



This document is NOT the original, but is an electronically transmitted copy. The original content is the property of Power X Consulting. This document may not be copied, modified, or used in any way other than that specifically authorized by Power X Consulting.

Designed by:  
Drawn by:  
Checked by:  
Approved by:



1313 Mockingbird Lane, Kennesaw, GA 30144

**SIERRA PROCESSING**  
FOR  
**SUN INDUSTRIES LLC**  
LINCOLN, KS

**SECOND FLOOR PLAN**

DATE	DESCRIPTION	BY

DATE 05/15/2008

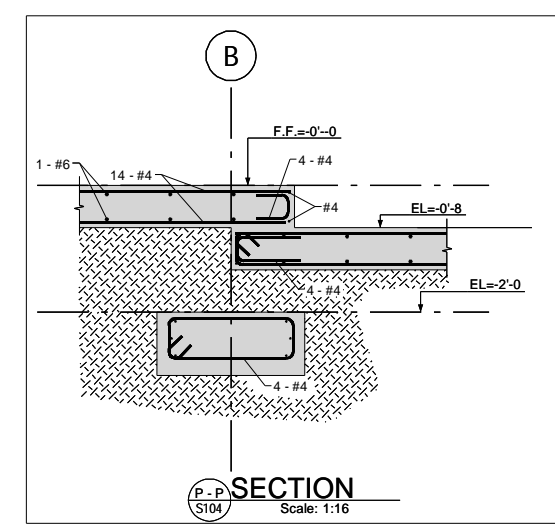
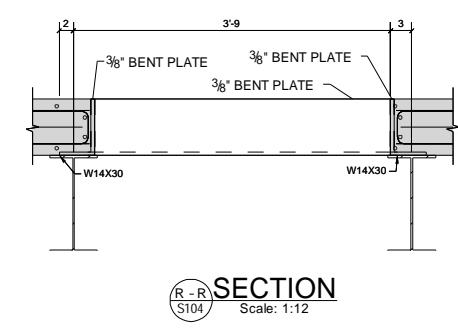
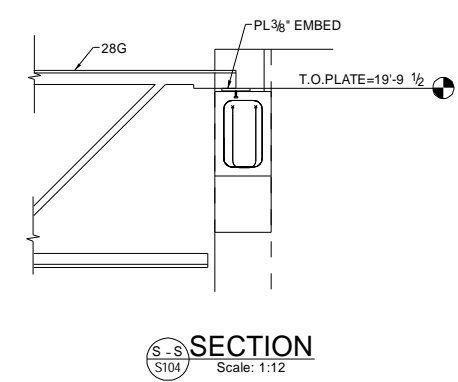
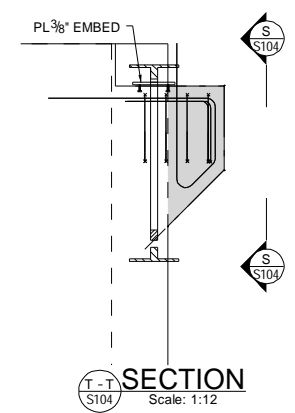
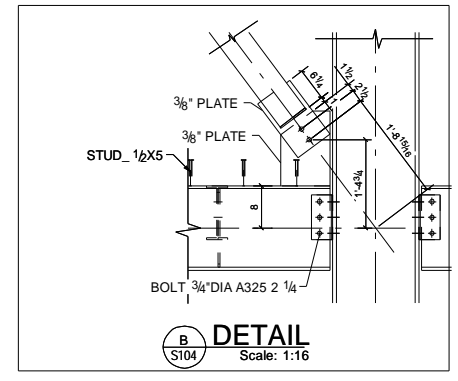
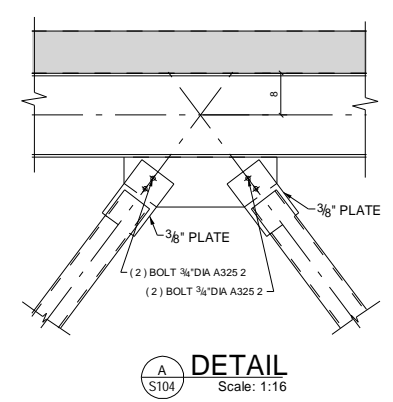
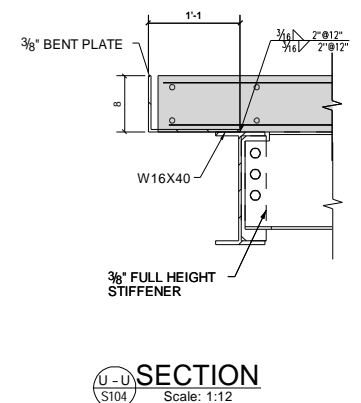
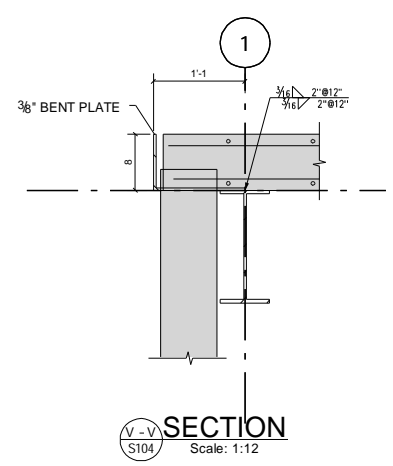
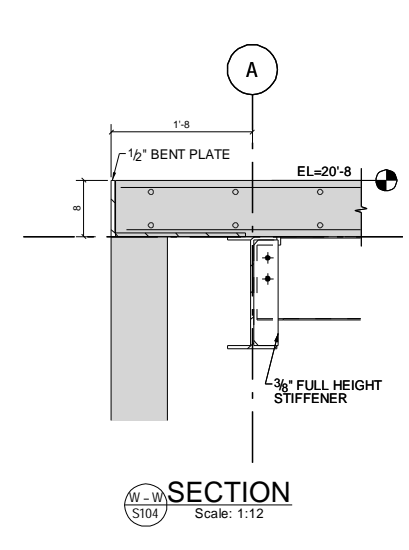
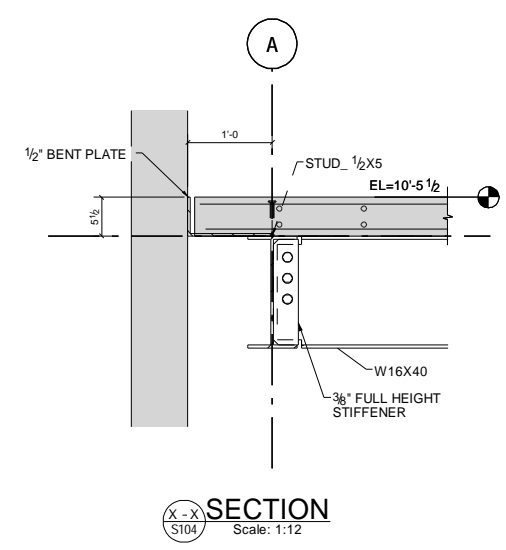
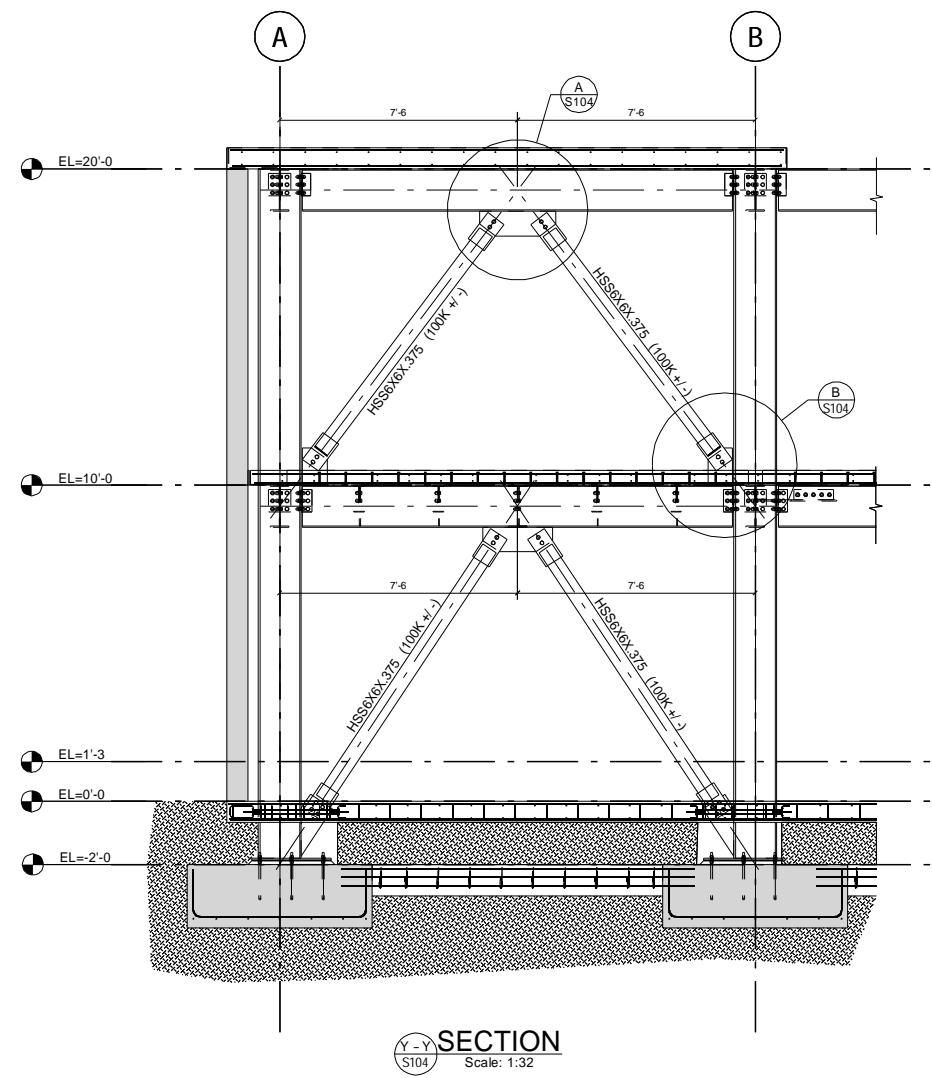
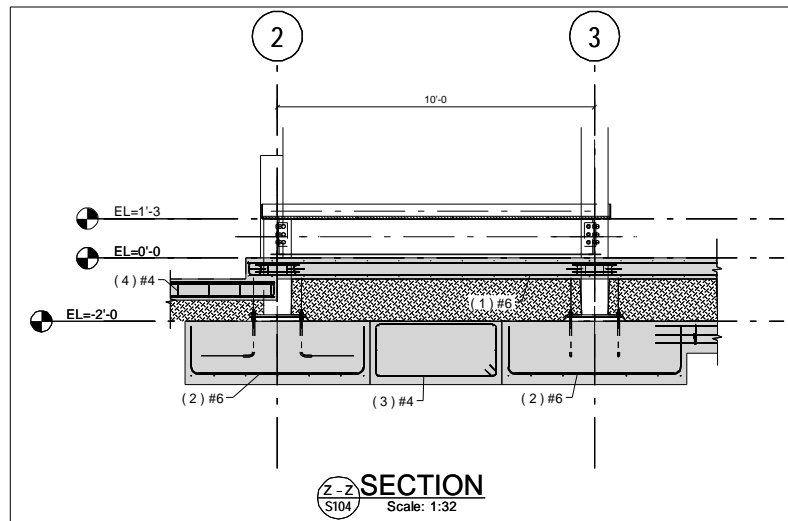
PROJ. NO.

DRAWING NO.

**S102**

**PRELIMINARY  
NOT FOR  
CONSTRUCTION**

© Power X Consulting, 2005  
All rights reserved.  
No commercial or other use of this document or its content, and no reproduction or other copying, is permitted without the written authorization of Power X Consulting.



This document is NOT the original, but is an electronically transmitted copy. The original contains the original design information. This document may not be copied, modified, or used in any way other than that specifically authorized by Power X Consulting.

Designed by: \_\_\_\_\_  
 Drawn by: \_\_\_\_\_  
 Checked by: \_\_\_\_\_  
 Approved by: \_\_\_\_\_

**POWER X CONSULTING**

1313 Mockingbird Lane, Kennesaw, GA 30144

**SIERRA PROCESSING FOR SUN INDUSTRIES LLC**  
 LINCOLN, KS

**DETAILS AND SECTIONS**

Mark	Description	Date	By

**PRELIMINARY NOT FOR CONSTRUCTION**

© Power X Consulting, 2005  
 All rights reserved  
 No commercial or other use of this document or its content, and no reproduction or other copying, is permitted without the written authorization of Power X Consulting.

DATE 05/15/2008  
 PROJ. NO. \_\_\_\_\_  
 DRAWING NO. **S104**