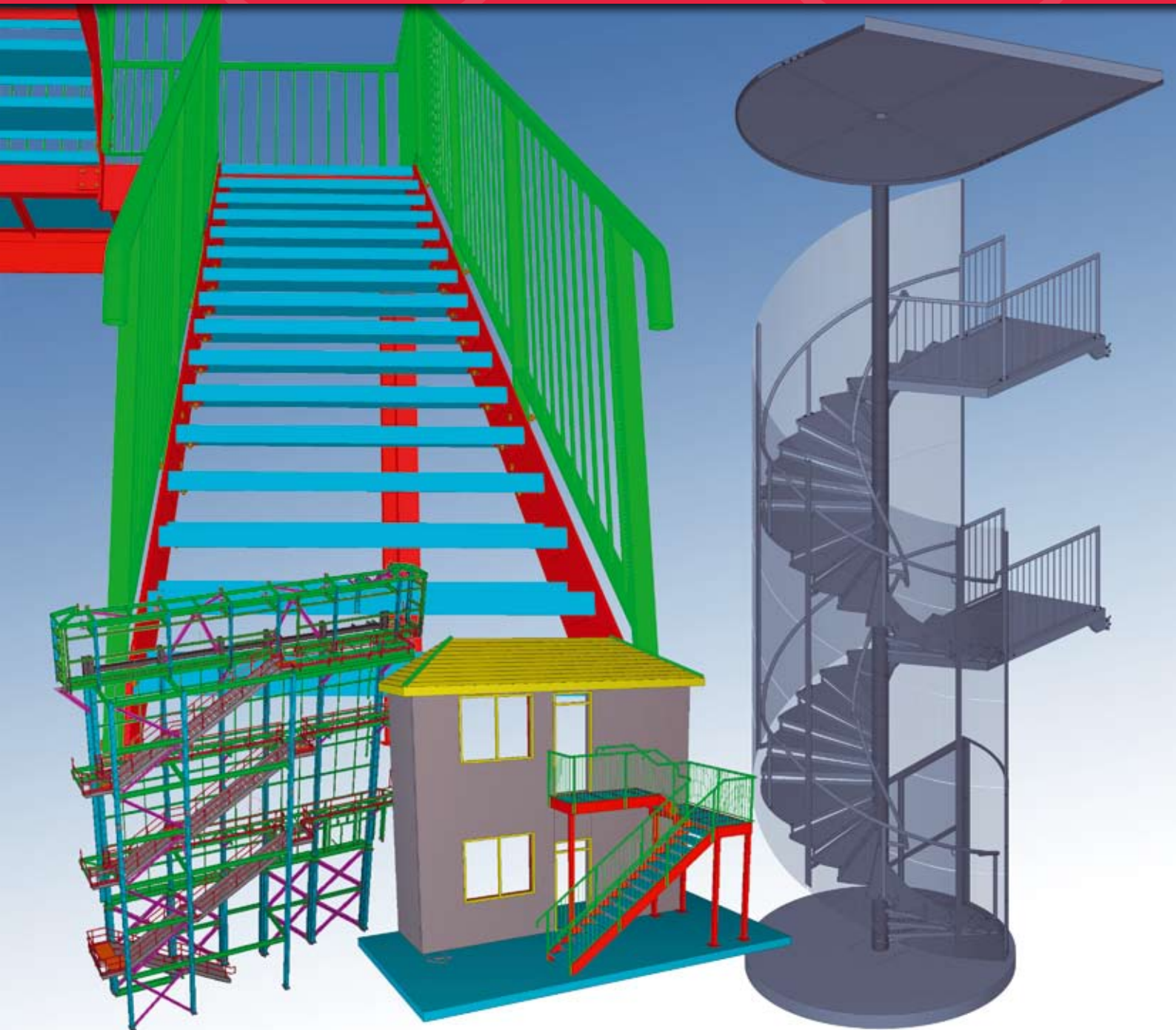




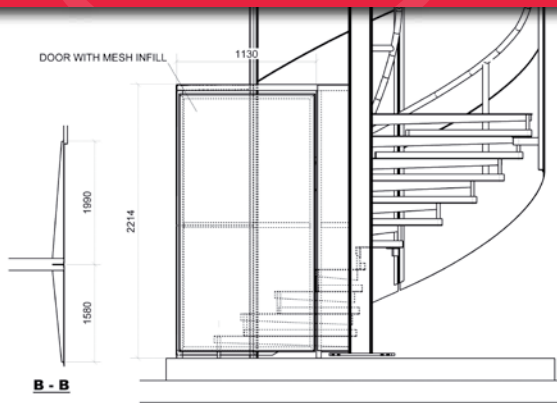
TEKLA® Structures

Miscellaneous metal work

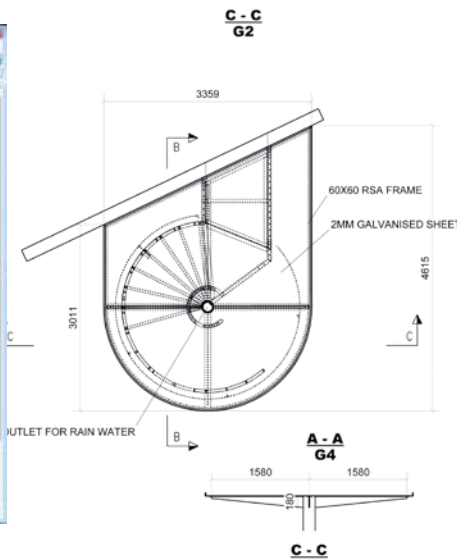


IDEAL SOLUTION FOR MISCELLANEOUS METAL WORK

- Modeling and detailing of miscellaneous metal work including stairs, ladders, handrails, balustrades and sheet metal work
- For detailers and fabricators, large or small, involved in the detailing, fabrication or installation of miscellaneous metalwork
- Integration with structural steelwork model to avoid clashes and to detail connections and fixings

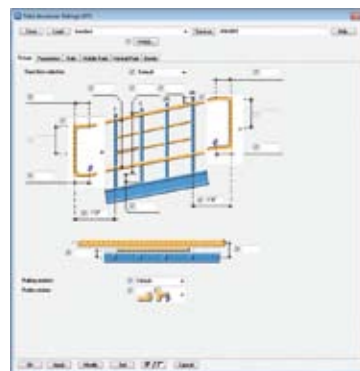
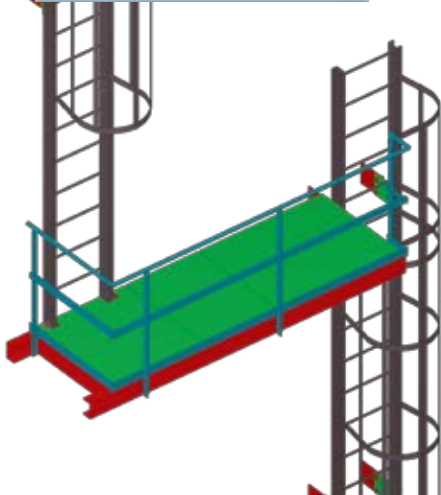


➤ Tekla handles a wide range of miscellaneous items from architectural metalwork – encompassing balustrading, staircases, security work and sheet metalwork – through to structural steelwork and refurbishment. Tekla Structures software has the capacity to handle stainless steel fabrications and structural glass installations as well as one-off bespoke items.



➤ Tekla Structures provides a powerful tool to prototype different solutions, and this has proved invaluable for resolving any type of fabrication.

➤ Tekla's rendered 3D viewing allows you to rotate the model and show or email to the client exactly what they will be receiving. They can see section sizes, the location and type of bolts, and visualise the complete complex assembly before it is actually built!



CONTACT

Tekla Corporation (HQ)
 Metsänpojanukuja 1, P.O. Box 1
 FIN-02131 Espoo, FINLAND
 Tel. +358 30 661 10
 Fax +358 30 661 1500

Find your local TEKLA contact at

www.tekla.com